

Example of practical use of color orthophotomap

By H.Nomura
Chuoh Consultants Co.,LTD
3-12-1,Kminagoya,Nishiku,
Nagoya,Aichi,451
JAPAN

ABSTRACT

AVIOPLAN OR1 is an Orthophoto projector announced by Wild Heerbrugg Ltd, in1976. By using OR1,we have established the way to make a sheet of orthophoto from more than one original Aerial photograph. We show you examples practical use of orthophotograph and Stereomate.

1. Orthophoto mosaic by ORI

Orthophoto mosaic by ORI is the way of making an orthophotograph from more than one original aerial photograph. We used to make an orthophotograph from one original aerial photograph. And so there were various limits when we a small scale orthophotograph and an orthophotograph from usual aerial photograph. But the way of this ORI, Orthophoto mosaic enables making out the following orthophotograph.

- (1) It enables making big size orthophotograph in case of small scale map.
- (2) It enables making an orthophotograph which was used just a good part of the picture.
- (3) It enables the prevention inexactness in position.

The first figure — a schema of Orthophoto mosaic by ORI.

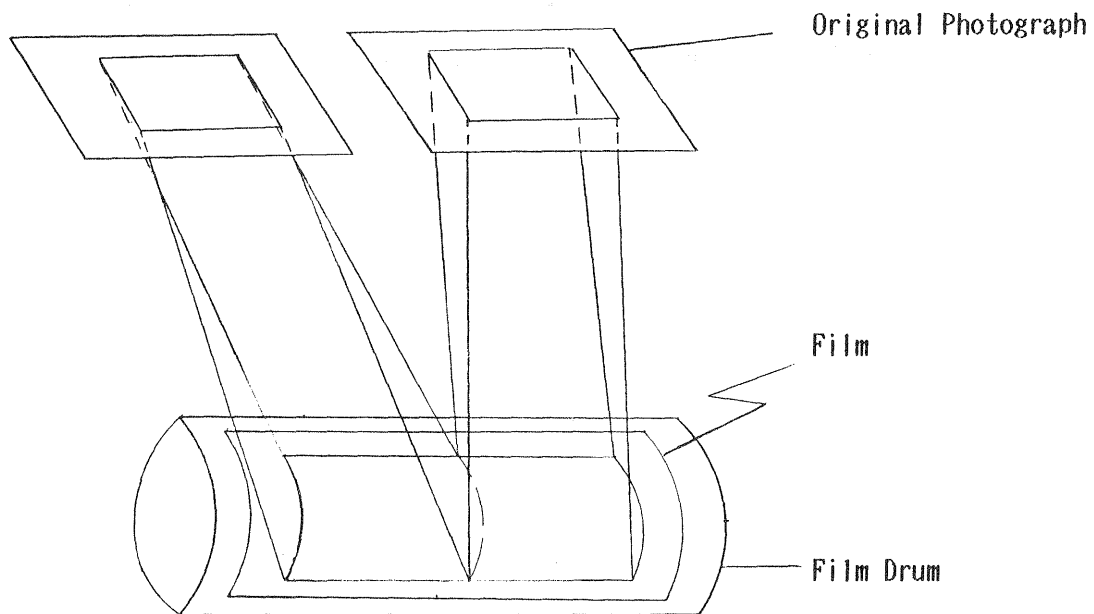


Fig.1

2.Examples of practical use of Orthophotomap

Orthophotomap has been often used as a substitute for Topographic map. But we could find the following new advantages by OR1 in stereoscopy of photomosaic's orthophotomap and stereomate.

- (1) It enables making clear expression of microscopic topographical maps unexpressed by contour lines.
- (2) It enables photographic interpretation by being stereoscopic of the landscape.
- (3) It enables getting the informations ; the nature and the look of the soil and the vegetation and etc.— impossible photographic interpretation by only orthophotomaps and topographicmaps.

Picture1 — the orthophotomap and the stereomate in the area of LANGHOVDE in Antarctic Region.

Stereomate ; the photo having x-parallaxe according to the elevation

Stereomate can be stereoscopic making a pair of orthophotograph.

P.S.

Great thanks for cooperation of National Institute Polar of Research.

They enabled the descriptions of Orthophotomap.

